

# Vermont Islands 7210-S

## Options

Vinyl Cover Black  
Sink  
Self contained water system

## Description

Refrigerated Prep Island  
Solid Ipe "ironwood" outdoor cabinet.  
Stainless Steel Top.  
Locking storage.

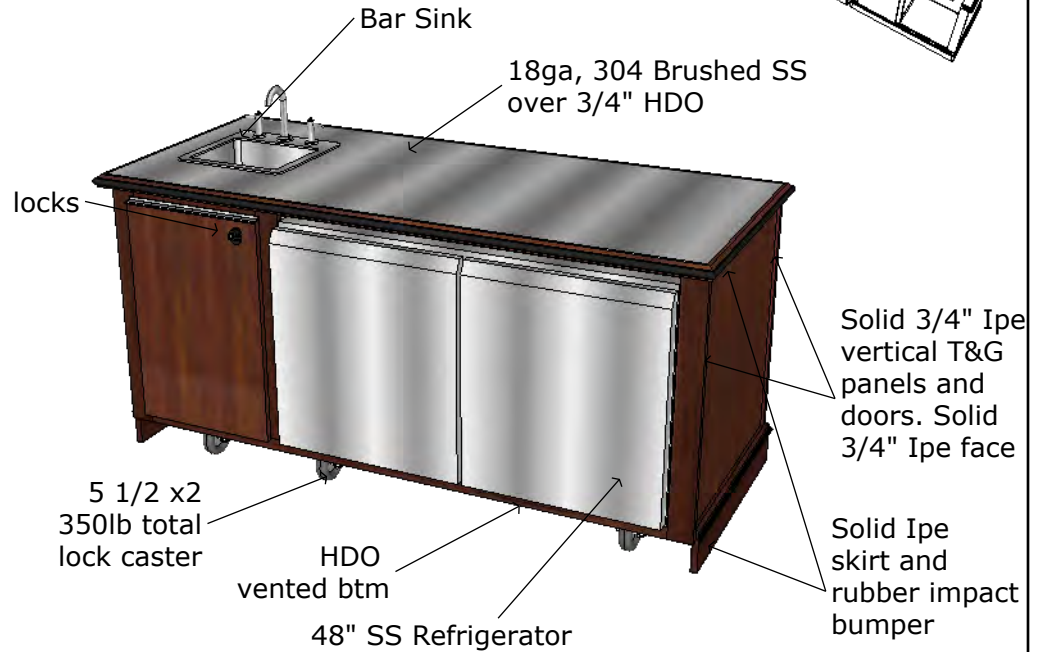
48" SS Refrigerator

## Overall Dimensions

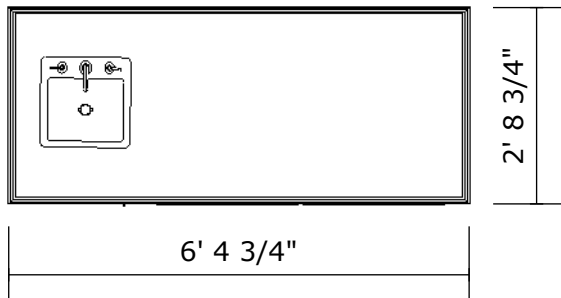
76 3/4" x 32 3/4" x 38 3/8"

## Weight

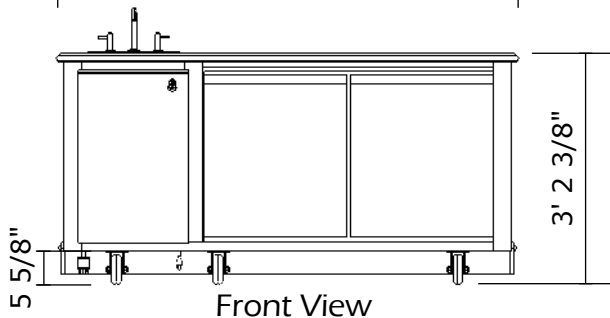
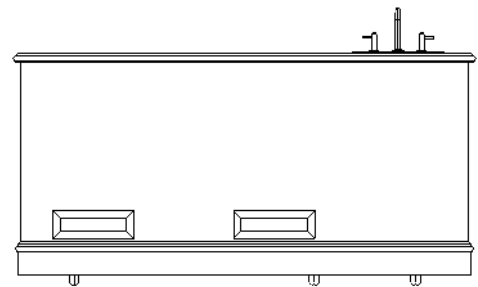
600 lbs



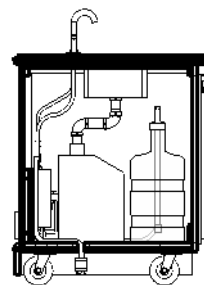
Top View



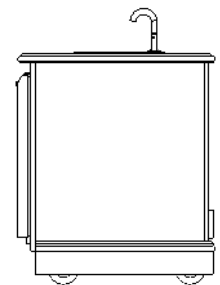
Back View



Front View

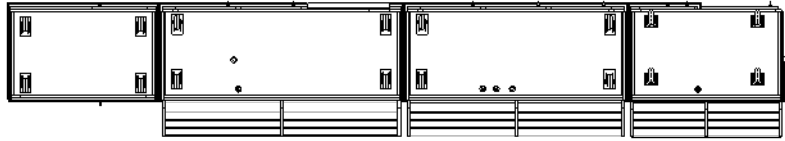
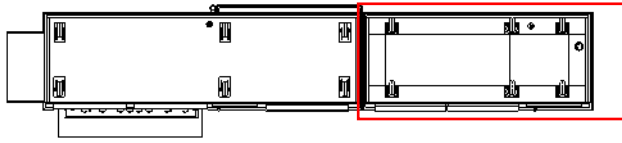


Section

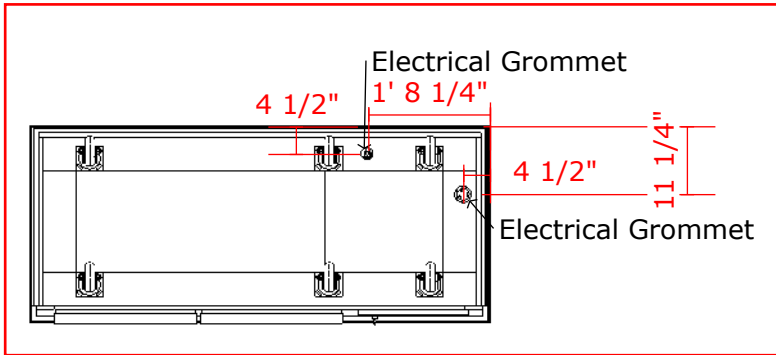


Side View

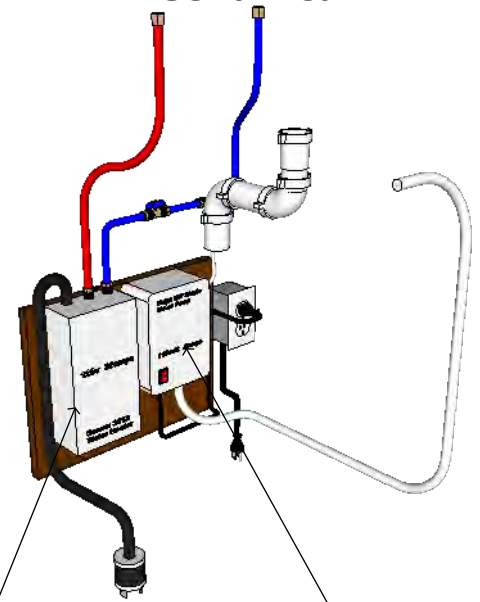
# Vermont Islands 7210-S



Bottom View

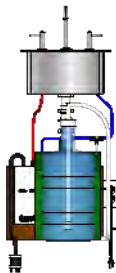


## Mechanical

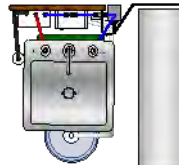


**GFCI Outlet**  
20 Amp  
8' Cord w/ NEMA 5-15 plug

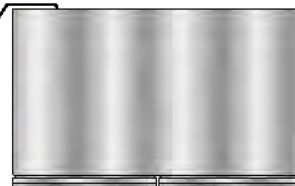
## Appliances



**Continental Refrigerator UC48**  
13.4 cu. ft.  
115V / 60Hz / 1 phase  
7.1 Amps  
NEMA 5-15 Plug Type



**Elkay Neptune Bar Sink**  
23 gauge stainless steel  
15" x 15" x 6"  
2" Drain  
2 faucet holes  
(1-1/4" dia. 4" center)



**Eemax 3012 Hot Water Heater**  
120V / 60Hz / 1 phase  
25 Amps  
NEMA L5-30 Plug Type

**FloJet Water Pump**  
115V / 60Hz / 1 phase  
.5 Amps  
NEMA 5-15 Plug Type

Shop Drawings - OK for production

Approved \_\_\_\_\_

Date \_\_\_\_\_