

Vermont Islands

7205-3R

Options

Vinyl Cover Black
 SS Tray Rail
 Shelf
 LED light under shelf
 27" UC Refrigerator

Description

Solid Ipe "ironwood" outdoor cold buffet cabinet.
 Stainless steel top.
 Locking storage.
 3-Pan SS insulated ice well with drain.

Special

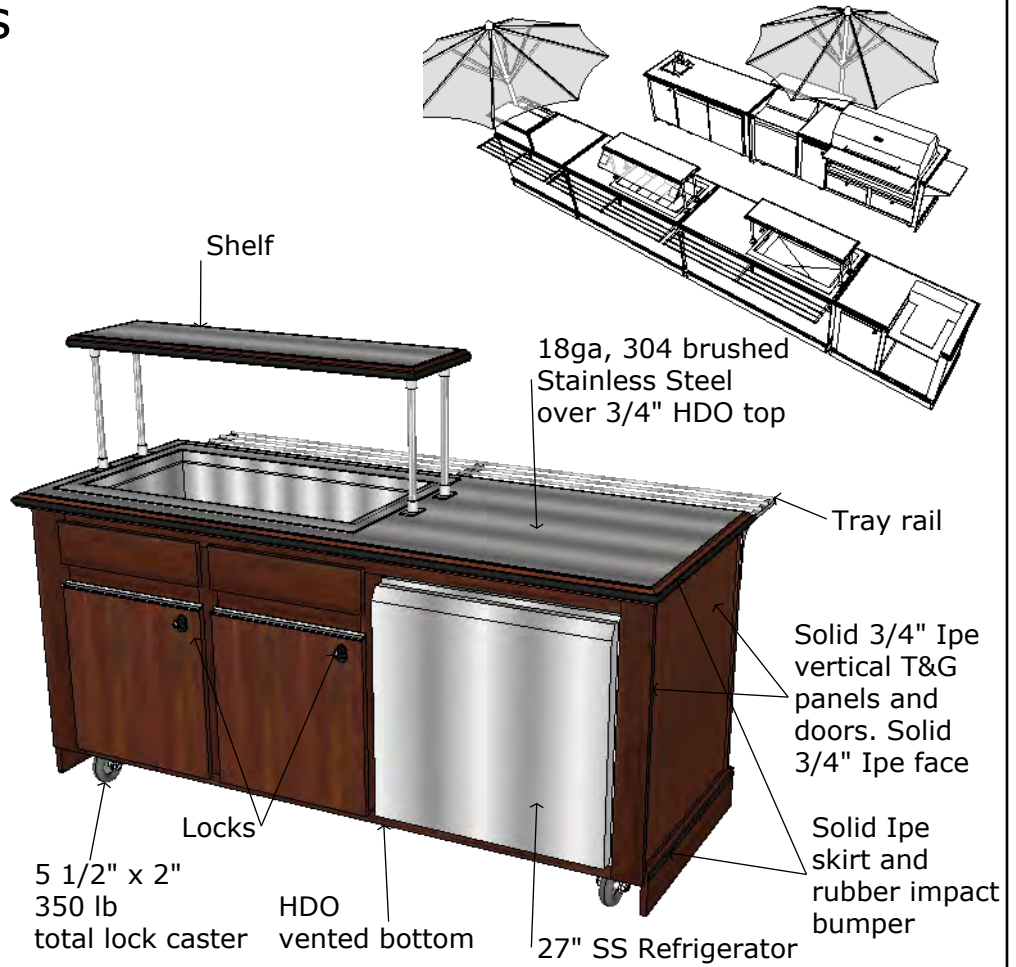
Add 12' quick connect garden hose to drain (after valve)

Overall Dimensions

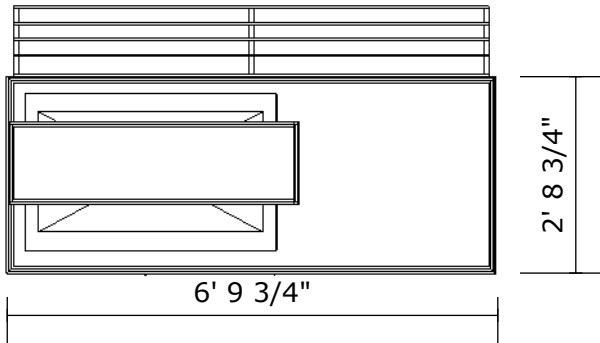
81 3/4" x 32 3/4" x 38 3/8"

Weight

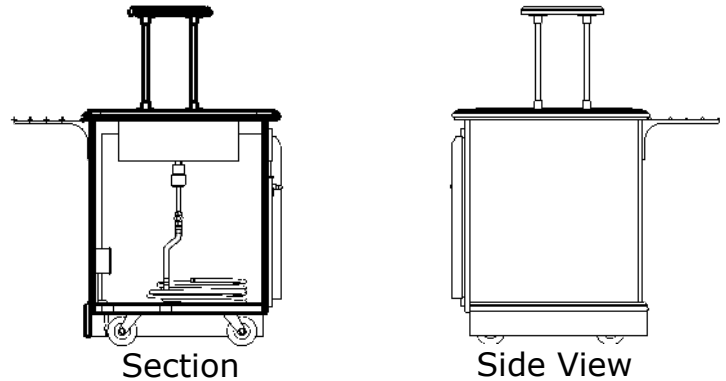
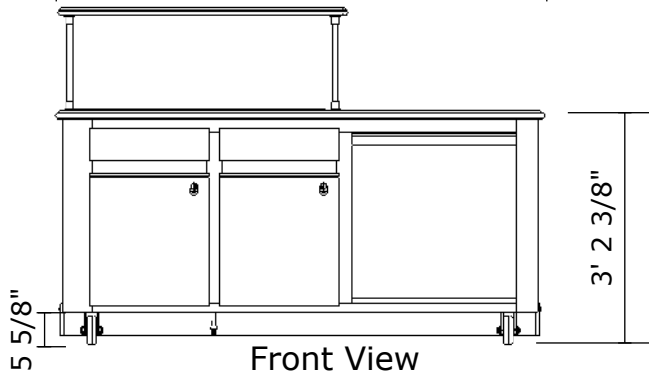
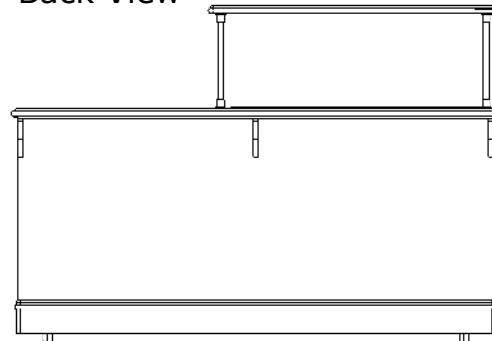
750 lbs



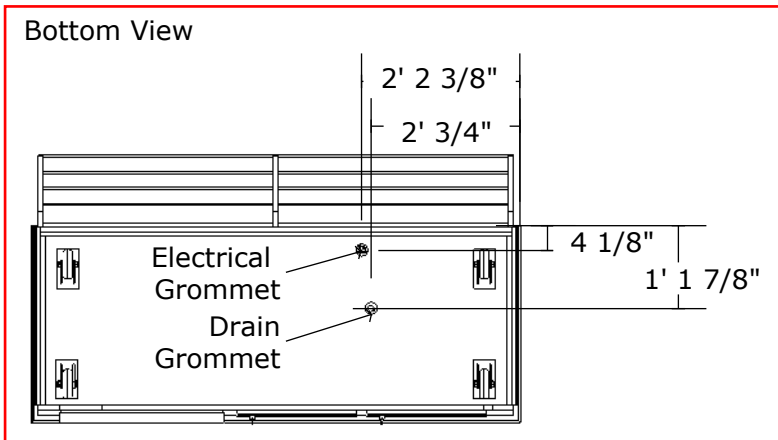
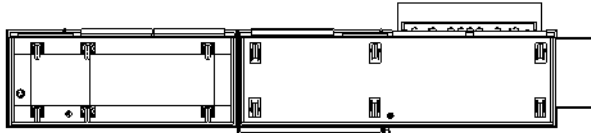
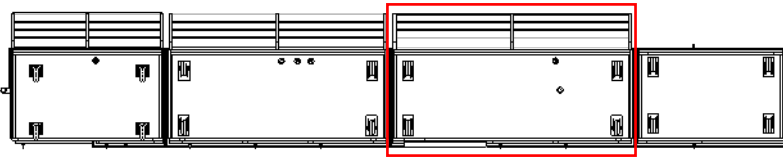
Top View



Back View

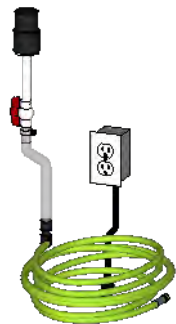


Vermont Islands 7205-3R

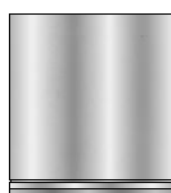
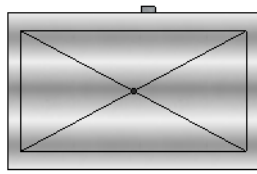
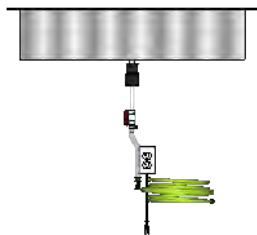


Plumbing

- Drain Pipe
- Ball Valve
- Garden Hose Quick-Connect
- Garden Hose (12')



Appliances



Vollrath Non-Refrigerated Insulated Cold Pan - 3 Pan

Fits standard hotel pans
18-8 Stainless Steel
1" Integrated drain
8" Deep

Continental Refrigerator UC27

7.4 cu. ft.
115V / 60Hz / 1 phase
6.1 Amps
NEMA 5-15 Plug Type

GFCI Outlet

20 Amp
8' Cord w/ NEMA 5-15 plug

Shop Drawings - OK for production

Approved _____

Date _____