

Vermont Islands 7200

Options

Vinyl Cover Black
SS Condiment Dispenser
Umbrella with lights and
mounting bracket

Description

Solid Ipe "ironwood" outdoor
cabinet.
Locking storage.
SS Top.

Overall Dimensions

70 3/4" x 31" x 42"

Weight

675 lbs

Side mounted
umbrella with
lights

18ga, 304 brushed
Stainless Steel
over 3/4" HDO top

Stainless Steel
Tray Rail

Solid 3/4" Ipe
vertical T&G
panels and
doors. Solid
3/4" Ipe face

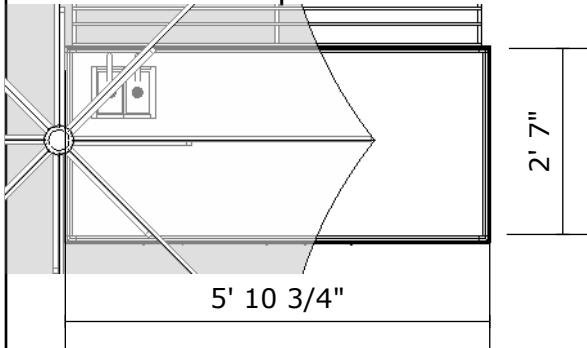
4" x 2"
350 Lb
Total Lock Caster

Locks

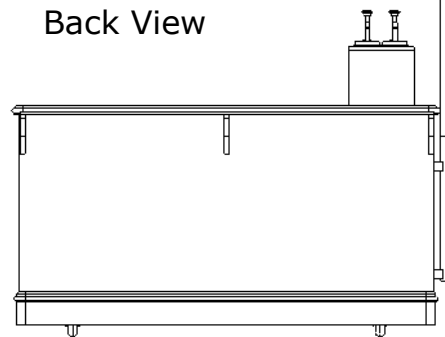
Vented
HDO bottom

Solid Ipe
skirt and
rubber impact
bumper

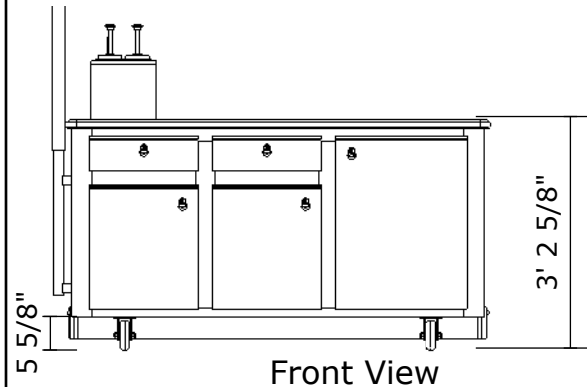
Top View



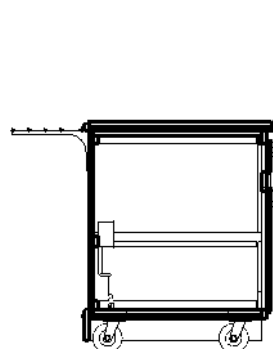
Back View



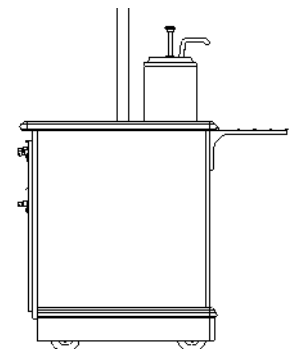
Front View



Section

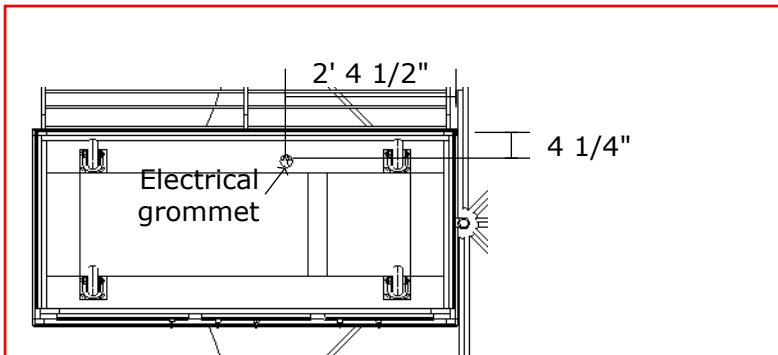


Side View

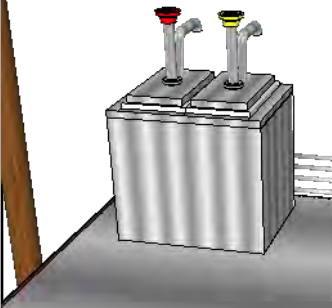


Vermont Islands 7200

Bottom View



Appliances



**Server Ketchup &
Mustard Dispenser**
Model SB-2 80160
Stainless Steel
(2) 3.5 Qt. containers
Colored knobs

Mechanical



GFCI Outlet
20 Amp
8' Cord w/ NEMA 5-15 plug

Shop Drawings - OK for production

Approved _____

Date _____