

# Vermont Islands 48CV-48 27ST

## Options

Vinyl Cover Black  
Umbrella Bracket  
Market Umbrella  
SS End shelf  
SS Plate shelf

## Description

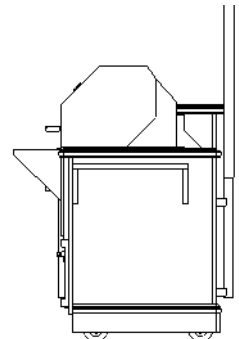
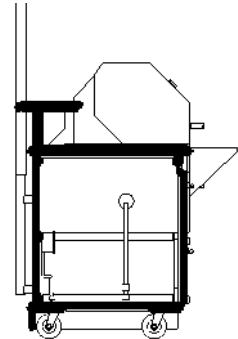
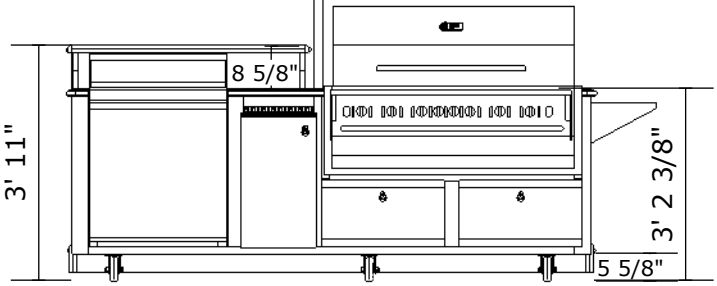
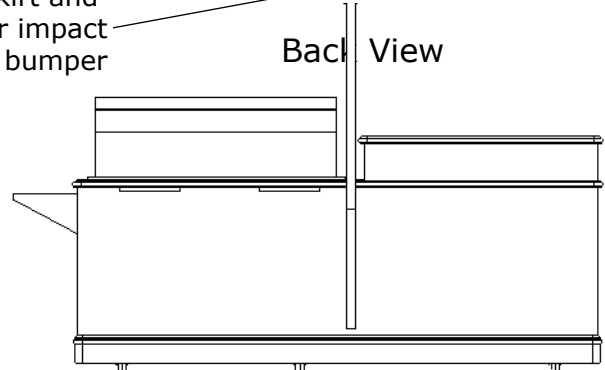
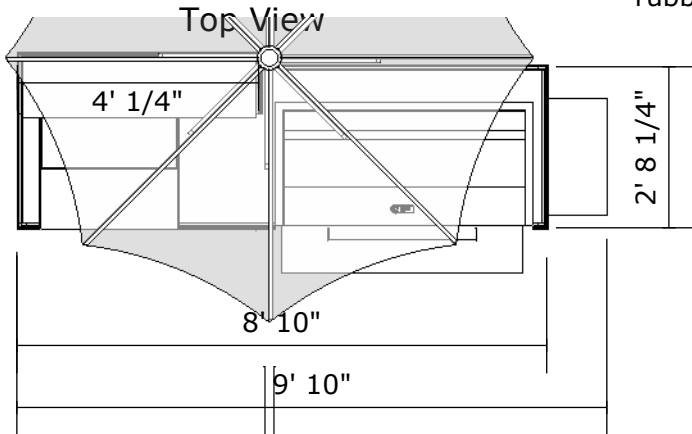
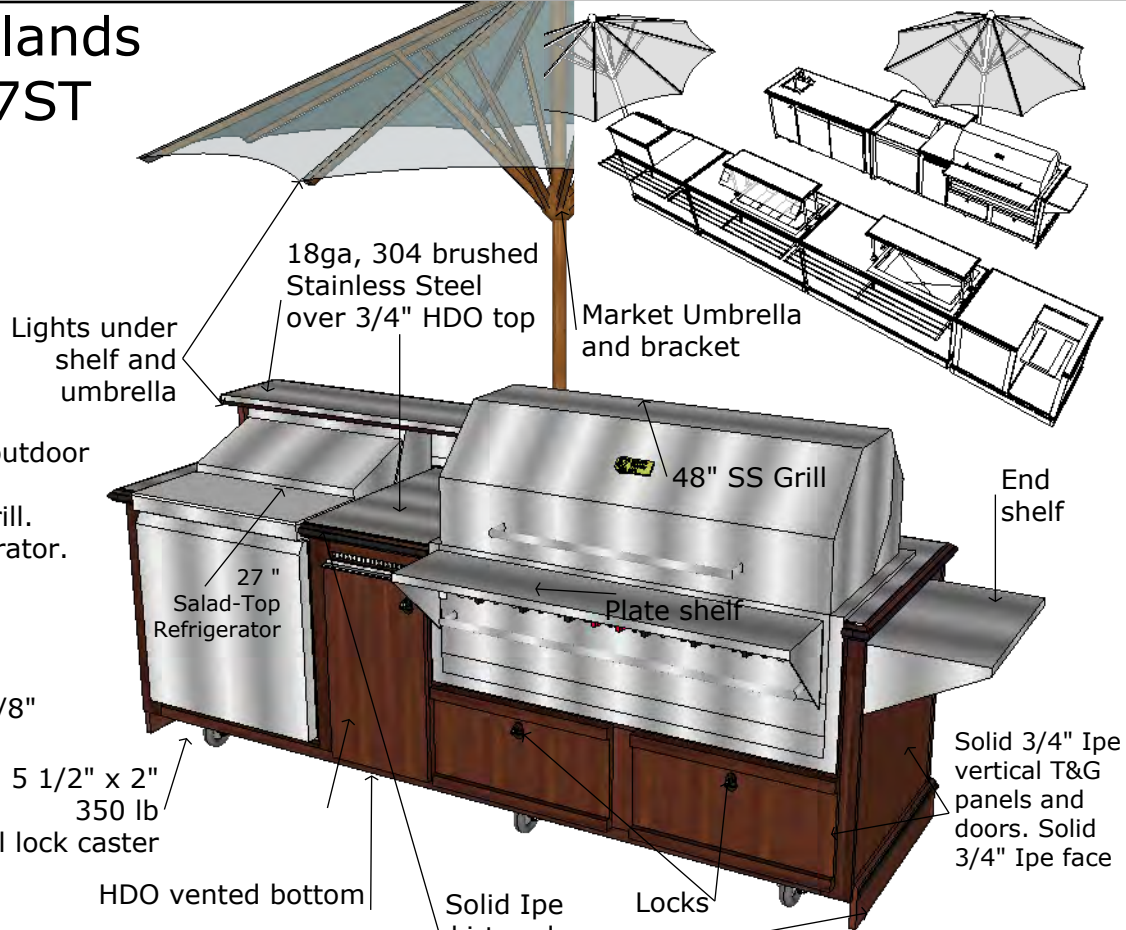
Solid Ipe "ironwood" outdoor grill cabinet.  
48" SS Natural Gas Grill.  
27" Salad Top Refrigerator.  
Locking storage.

## Overall Dimensions

106" x 32 1/4" x 38 3/8"

## Weight

1200 lbs

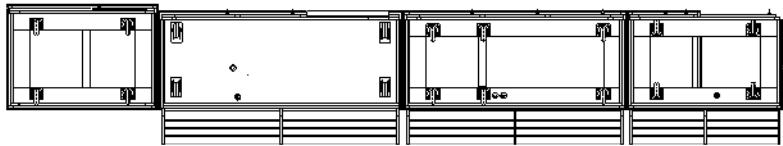
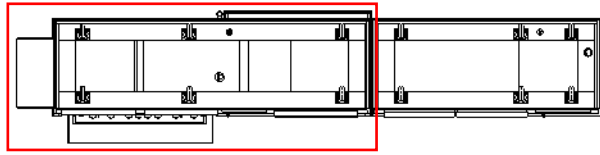


Front View

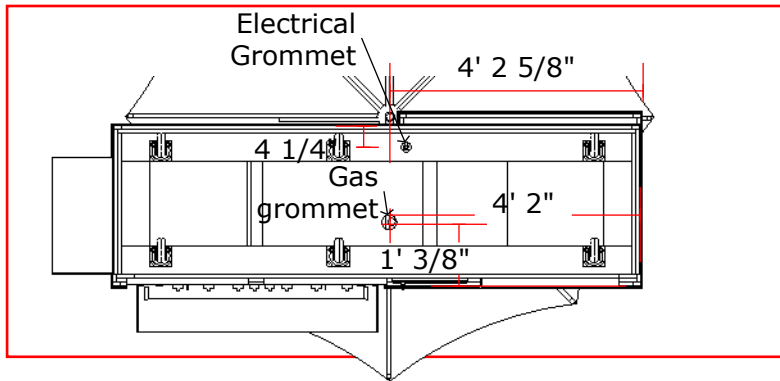
Section

Side View

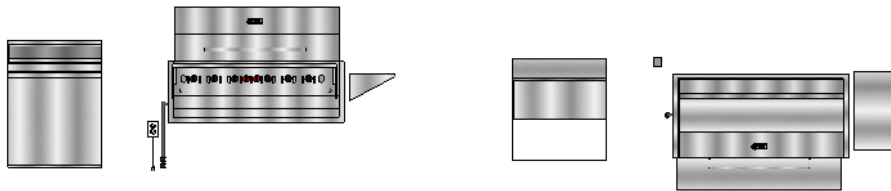
# Vermont Islands 48CV-48 27ST



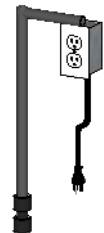
Bottom View



## Appliances



## Mechanical



**GFCI Outlet**  
20 Amp  
8' Cord w/ NEMA 5-15 plug

**Natural Gas 1/2" Hose**  
with quick disconnect

**Crown Verity BI-48**  
**48" Stainless Steel Grill**  
6 Burners  
99,000 BTUH (total)  
46" x 21" Cooking Surface  
18 gauge type 304 Stainless

**Continental Refrigerator**  
**SW27-8**  
7.4 cu. ft.  
115V / 60Hz / 1 phase  
6.2 Amps  
NEMA 5-15 Plug Type  
(8) 1/6 Size pans

Shop Drawings - OK for production

Approved \_\_\_\_\_

Date \_\_\_\_\_