

# Vermont Islands 4800 POS

## Options

Vinyl Cover Black  
 Umbrella Bracket  
 Umbrella with Lights  
 Locking Tambour Door  
 SS Tops  
 SS Tray Rail

## Description

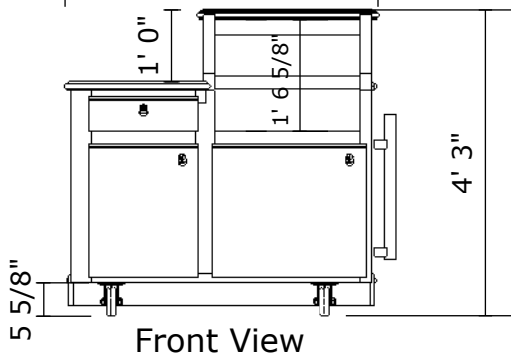
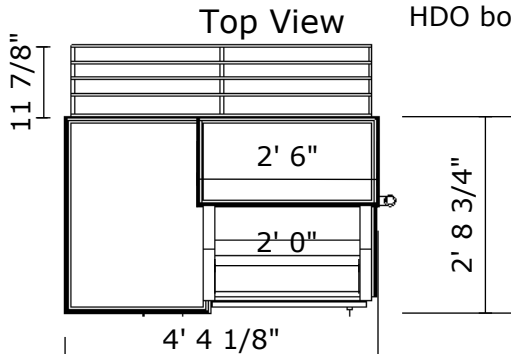
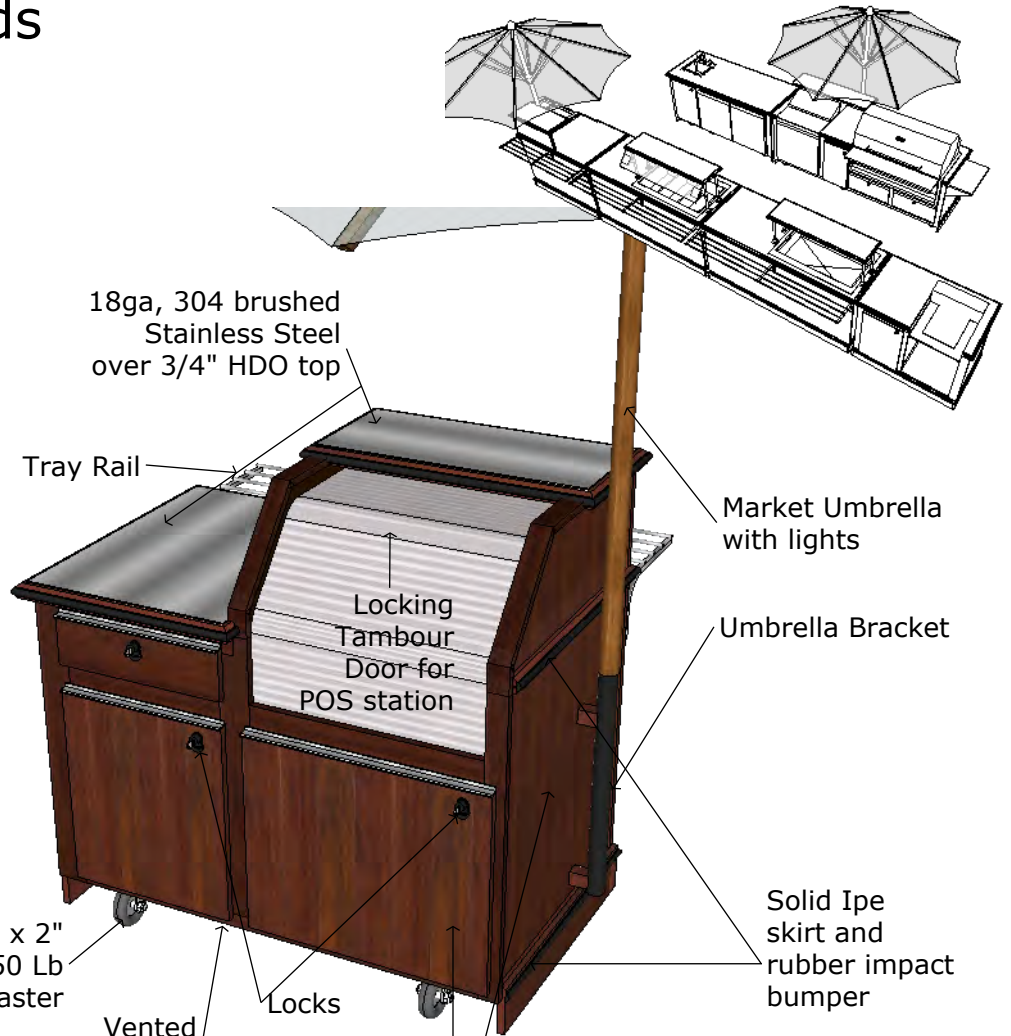
Custom solid Ipe "ironwood" outdoor cabinet for POS Station (22x17x18). Locking storage.

## Overall Dimensions

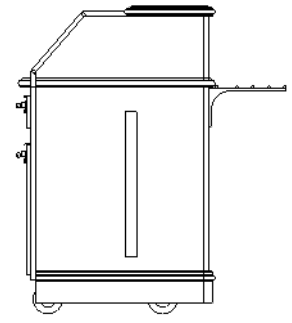
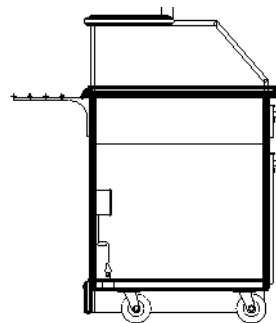
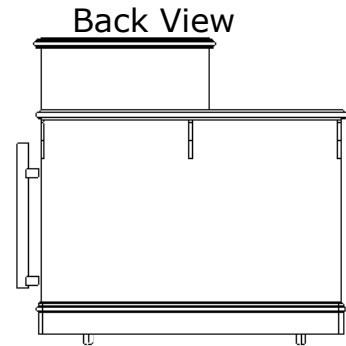
52 1/8" x 32 3/4" x 51"

## Weight

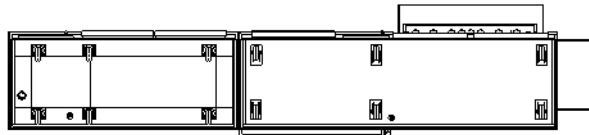
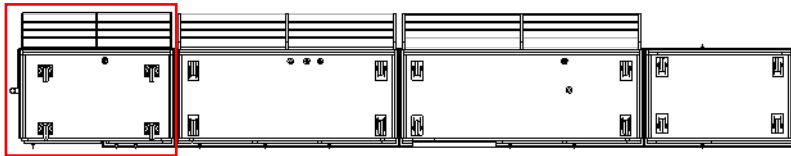
500 lbs



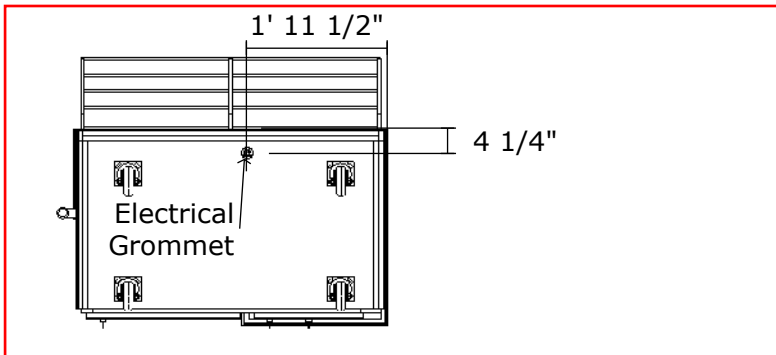
Solid 3/4" Ipe vertical T&G panels and doors. Solid 3/4" Ipe face



# Vermont Islands 4800 POS



Bottom View



## Mechanical



**GFCI Outlet**  
20 Amp  
8' Cord w/ NEMA 5-15 plug

Shop Drawings - OK for production

Approved \_\_\_\_\_

Date \_\_\_\_\_