

Product Overview

Interior Banquet Bar

Long mobile interior banquet bar with integrated ice well, speed rail, two sets of soft close glass rack drawers and storage.

Unit Dimensions (l w h, lbs)

92" x 34" x 45", 600 lbs

Ship Dimensions (l w h, lbs)

100" x 40" x 52", 800 lbs

Standard Features

Raised granite service counter
Solid surface work surfaces with integrated ice well and speed rail
Solid 14ply premium plywood construction throughout
Solid hardwood moldings
Heavy duty locking casters
Locking sliding doors for storage
Soft close 75lb drawer slides
Many finishes and trims

Long Banquet Bar with Ice Well

BANQUET SERIES



Depicted with Giallo Ornamental granite and almond solid surface counter, Birch with Brown Mahogany finish with Classic molding.

Options & Accessories

Stock Counters

- Giallo Ornamental Uba Tuba
 Solid White Solid Almond
 Other

Stock Woods

- Birch Maple
 Cherry (b) Oak (b) Teak (c)

Standard Finishes

- Clear Cherry White Wash
 Brown Mahogany Shaker Maple

Molding

- None Classic

Bumper Color

- Black Brown

Common Accessories

- Menu Rack - L R

*L/R as seen from operator

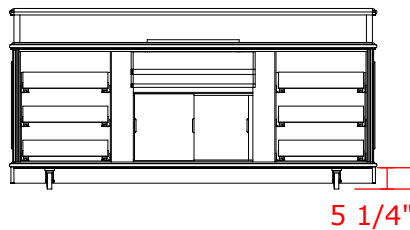
*Material price group a, unless denoted

Customer Approval

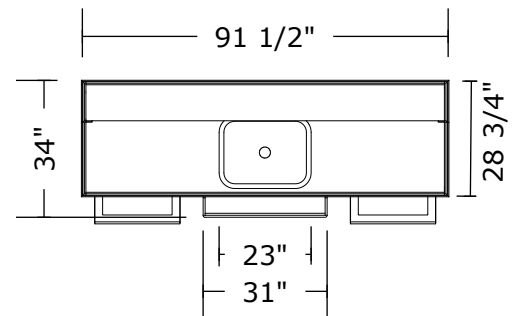
By _____

Date _____

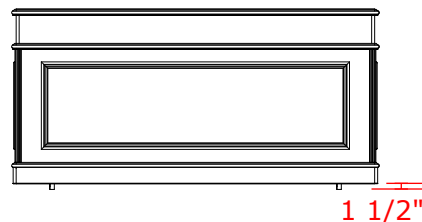
Front



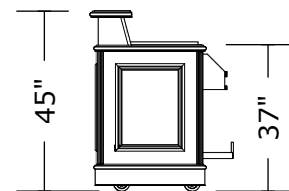
Top



Back



Side



Note: colors, finishes and weights will vary with options chosen, materials & finishes guide at: www.vermontislands.com/BanquetSeries.htm

VERMONT ISLANDS
SPECIALISTS IN OUTDOOR
& MOBILE HOSPITALITY

22 Browne Ct. Unit 115
Brattleboro, VT 05301
p 802.246.2277 f 802.246.2278
www.vermontislands.com

9024I-FB-DRIRDR

V1.1
2013