

## Product Overview

### Interior Banquet Bar

Long mobile interior banquet bar with integrated ice wells with speed rail, soft close glass rack drawers and storage.

### Unit Dimensions (l w h, lbs)

92" x 34" x 45", 600 lbs

### Ship Dimensions (l w h, lbs)

100" x 40" x 52", 800 lbs

### Standard Features

Raised granite service counter  
Solid surface work surfaces with integrated ice well and speed rail  
Solid 14ply premium plywood construction throughout  
Solid hardwood moldings  
Heavy duty locking casters  
Locking sliding doors for storage  
Soft close 75lb drawer slides  
Many finishes and trims

## Options & Accessories

### Stock Counters

- Giallo Ornamental  Uba Tuba  
 Solid White  Solid Almond  
 Other

### Stock Woods

- Birch  Maple  
 Cherry (b)  Oak (b)  Teak (c)

### Standard Finishes

- Clear  Cherry  White Wash  
 Brown Mahogany  Shaker Maple

### Molding

- None  Classic

### Bumper Color

- Black  Brown

### Common Accessories

- Menu Rack - L  R

\*L/R as seen from operator

\*Material price group a, unless denoted

## Customer Approval

By \_\_\_\_\_

Date \_\_\_\_\_

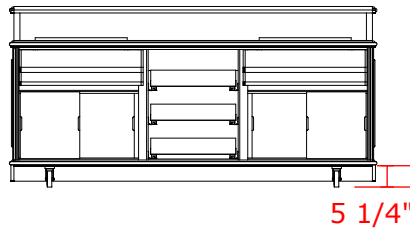
# Long Banquet Bar with Double Ice Well

## BANQUET SERIES

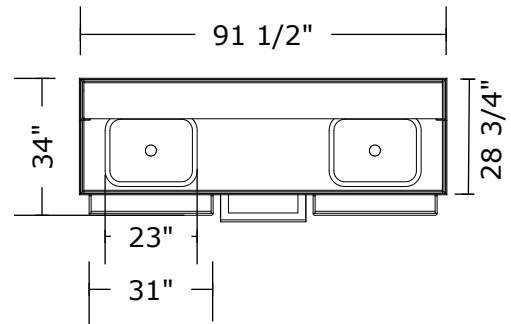


Depicted with Giallo Ornamental granite and almond solid surface counter, Birch with Brown Mahogany finish with Classic molding.

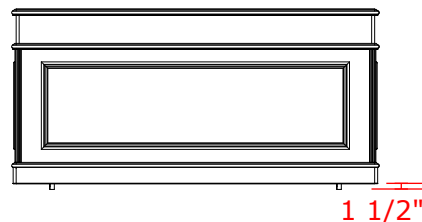
### Front



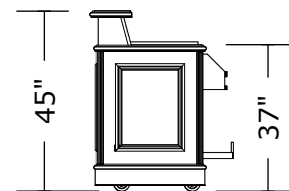
### Top



### Back



### Side



Note: colors, finishes and weights will vary with options chosen, materials & finishes guide at: [www.vermontislands.com/BanquetSeries.htm](http://www.vermontislands.com/BanquetSeries.htm)

**VERMONT ISLANDS**  
SPECIALISTS IN OUTDOOR  
& MOBILE HOSPITALITY

22 Browne Ct. Unit 115  
Brattleboro, VT 05301  
p 802.246.2277 f 802.246.2278  
[www.vermontislands.com](http://www.vermontislands.com)

9024I-FB-IRDRIR

V1.1  
2013