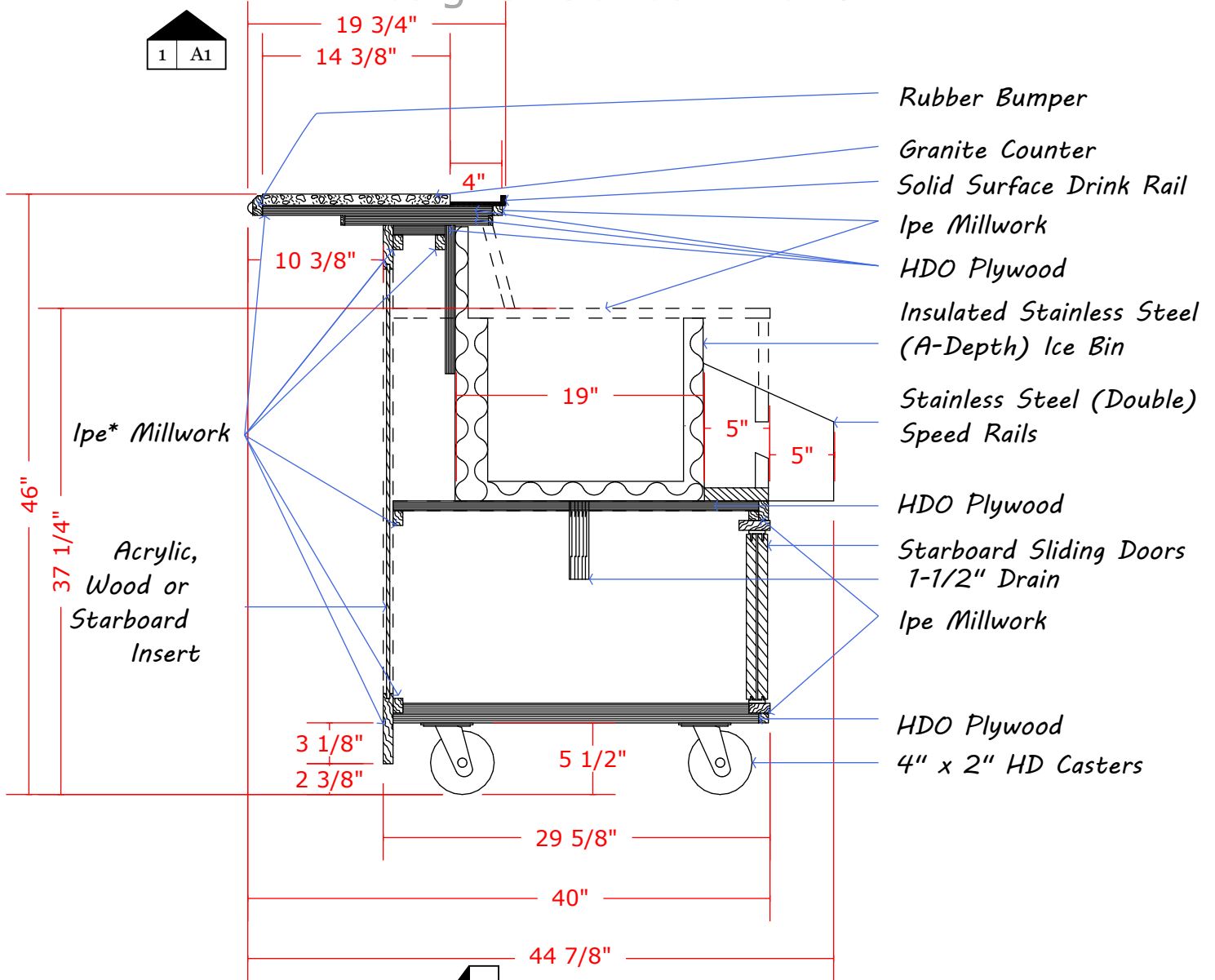


# Bars - Typical Section

## Designer Series Exterior



\* Outer millwork may be Ipe or Starboard as specified by customer. Inner millwork will be Ipe.