

## Product Overview

### Large Triple Keg Bar

Mobile outdoor bar triple commercial keg refrigerator.

### Unit Dimensions (l w h, lbs)

90" x 40" x 64", 900 lbs

### Ship Dimensions (l w h, lbs)

98" x 48" x 64", 1200 lbs

### Standard Features

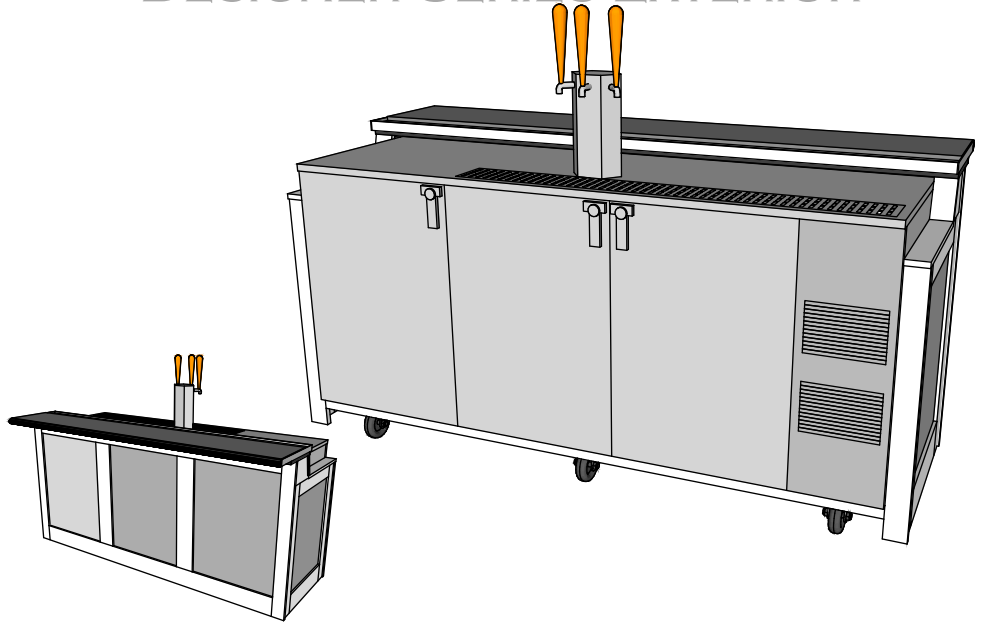
Ipe hardwood construction  
Heavy duty 4"x2" casters  
Locking front casters  
Locking sliding doors  
Under island storage  
Granite top  
84" Commercial Keg Refrigerator

### Common Uses

Beer service with glassware

# 9028X Triple Keg Bar

## DESIGNER SERIES EXTERIOR



## Options & Accessories

### Stock Counters (group a)

- Dark Granite  Light Granite
- Solid White  Solid Almond
- Other Counter\*

### Stock Panel Inserts (group a)

- White Acrylic  Red Acrylic
- Wood  Light Fabric
- Dark Fabric
- Other Panel Insert\*

### Stock Panel Frames

- Ipe  Starboard White
- Starboard Brown

### Common Accessories

- Cover
- Umbrella Holder - L  R

\*see options specifications sheet

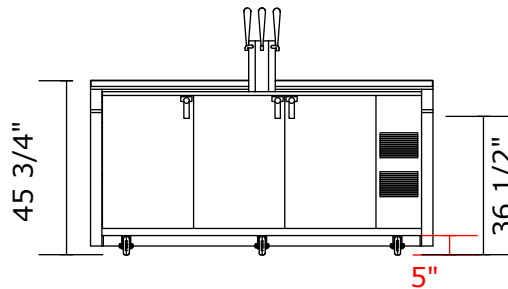
\*\*L/R as seen from operator

## Customer Approval

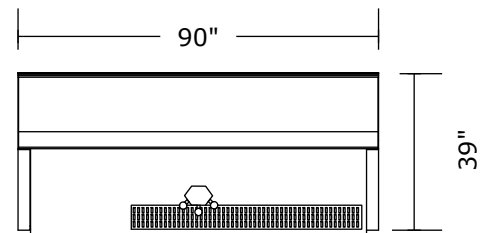
By \_\_\_\_\_

Date \_\_\_\_\_

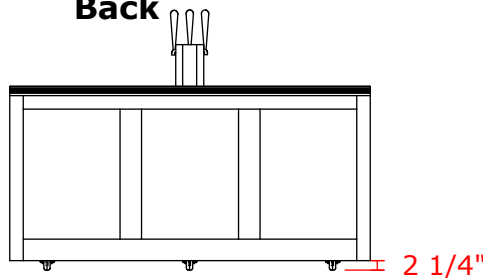
### Front



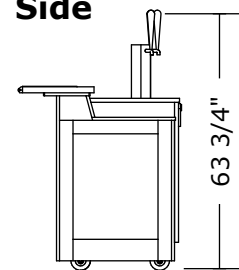
### Top



### Back



### Side



Note: colors, finishes and weights will vary based on options chosen; bars depicted with standard 18" bar top with granite and drink rail. 12" narrow bar top available as special order.