

## Product Overview

### Large General Purpose Bar

Mobile outdoor bar with ice wells removable speed rails, bar sink and 36" commercial slide top refrigerator.

### Unit Dimensions (l w h, lbs)

90" x 44" x 46", 1000 lbs

### Ship Dimensions (l w h, lbs)

98" x 52" x 50", 1300 lbs

### Standard Features

Ipe hardwood construction  
Heavy duty 4"x2" casters  
Locking front casters  
Locking sliding doors  
Under island storage  
Granite top  
Glasstender 30" Ice Well with double speed rails  
Bar Sink  
36" Commercial Slide Top Refrigerator

### Common Uses

Bar

## Options & Accessories

### Stock Counters (group a)

- Dark Granite  Light Granite
- Solid White  Solid Almond
- Other Counter\*

### Stock Panel Inserts (group a)

- White Acrylic  Red Acrylic
- Wood  Light Fabric
- Dark Fabric
- Other Panel Insert\*

### Stock Panel Frames

- Ipe  Starboard White
- Starboard Brown

### Common Accessories

- Cover
- Umbrella Holder - L  R
- Hot water heater
- Self contained water

\*see options specifications sheet

\*\*L/R as seen from operator

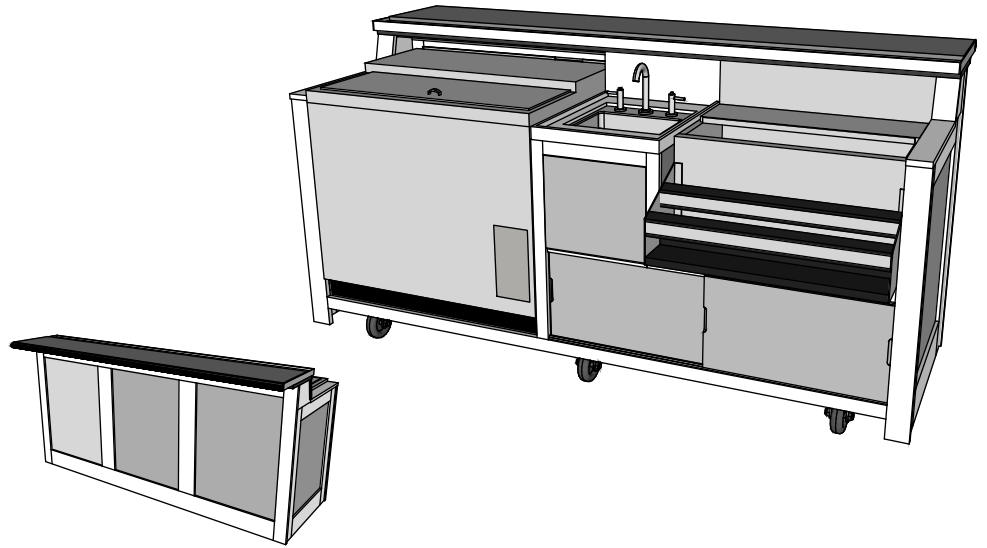
## Customer Approval

By \_\_\_\_\_

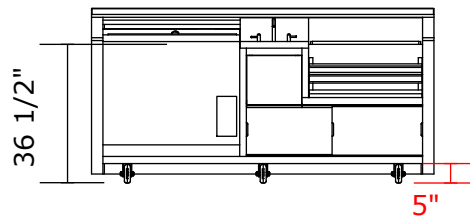
Date \_\_\_\_\_

# 9028X Slide Top Sink and Ice Bar

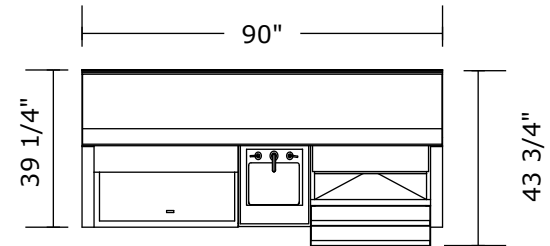
## DESIGNER SERIES EXTERIOR



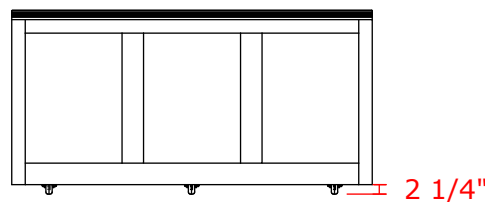
### Front



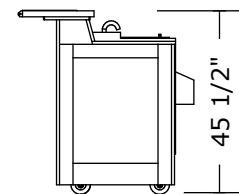
### Top



### Back



### Side



Note: colors, finishes and weights will vary based on options chosen; bars depicted with standard 18" bar top with granite and drink rail. 12" narrow bar top available as special order.