

Product Overview

Large General Purpose Bar

Mobile outdoor bar with sink, counter and under counter storage.

Unit Dimensions (l w h, lbs)

90" x 44" x 46", 800 lbs

Ship Dimensions (l w h, lbs)

98" x 52" x 50", 1100 lbs

Standard Features

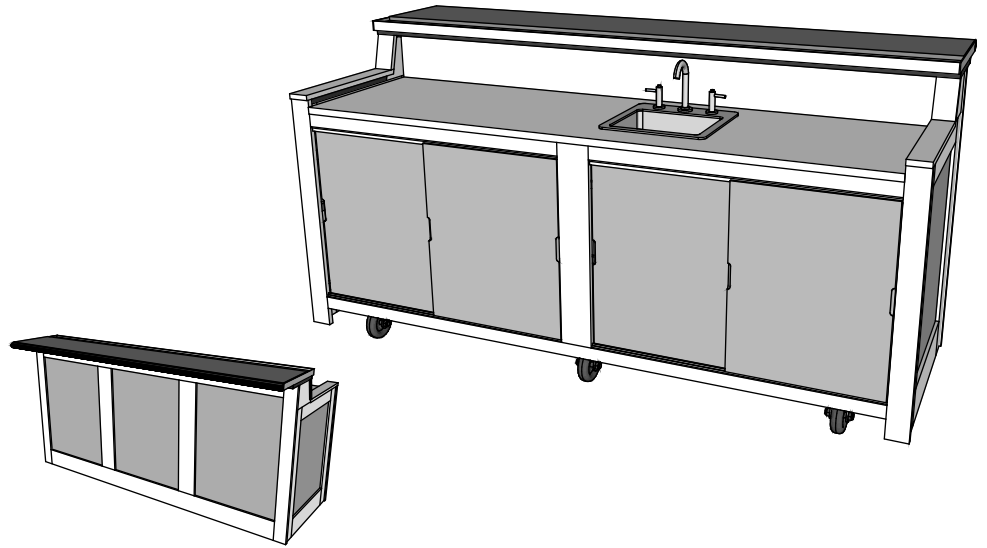
Ipe hardwood construction
Heavy duty 4"x2" casters
Locking front casters
Locking sliding doors
Under island storage
Granite top
Bar Sink

Common Uses

Bar

9028X Sink Bar

DESIGNER SERIES EXTERIOR



Options & Accessories

Stock Counters (group a)

- Dark Granite Light Granite
 Solid White Solid Almond
 Other Counter*

Stock Panel Inserts (group a)

- White Acrylic Red Acrylic
 Wood Light Fabric
 Dark Fabric
 Other Panel Insert*

Stock Panel Frames

- Ipe Starboard White
 Starboard Brown

Common Accessories

- Cover
 Umbrella Holder - L R
 Hot water heater
 Self contained water

*see options specifications sheet

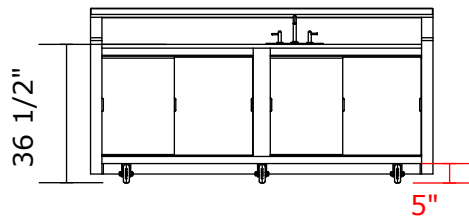
**L/R as seen from operator

Customer Approval

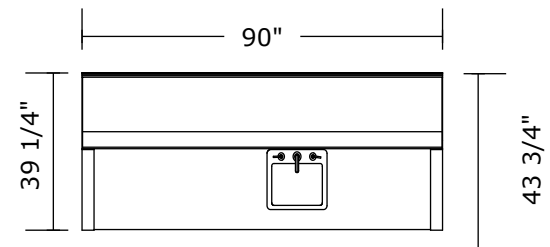
By _____

Date _____

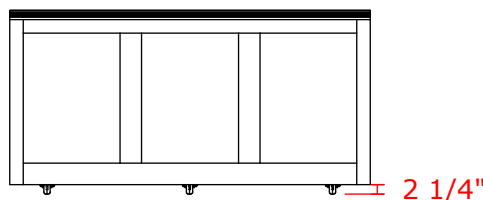
Front



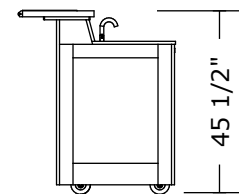
Top



Back



Side



Note: colors, finishes and weights will vary based on options chosen; bars depicted with standard 18" bar top with granite and drink rail. 12" narrow bar top available as special order.