

Product Overview

General Purpose Bar

Mobile outdoor bar with two ice wells and removable speed rails.

Unit Dimensions (l w h, lbs)

58" x 44" x 46", 600 lbs

Ship Dimensions (l w h, lbs)

66" x 50" x 50", 800 lbs

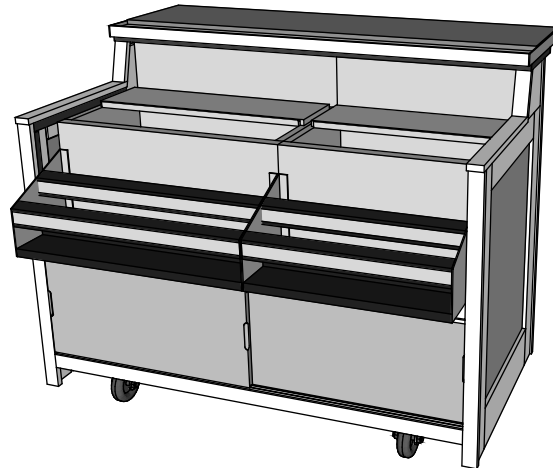
Standard Features

Ipe hardwood construction
Heavy duty 4"x2" casters
Locking front casters
Locking sliding doors
Under island storage
Granite top
Glasstender 30" Ice Well and 24" Ice Well with double speed rails

Common Uses Bar

5828X Double Ice Well Bar

DESIGNER SERIES EXTERIOR



Options & Accessories

Stock Counters (group a)

- Dark Granite Light Granite
- Solid White Solid Almond
- Other Counter*

Stock Panel Inserts (group a)

- White Acrylic Red Acrylic
- Wood Light Fabric
- Dark Fabric
- Other Panel Insert*

Stock Panel Frames

- Ipe Starboard White
- Starboard Brown

Common Accessories

- Cover
- Umbrella Holder - L R

*see options specifications sheet

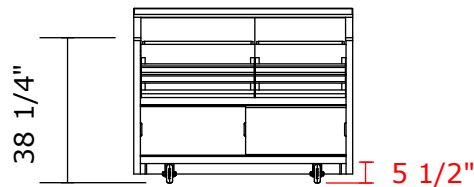
**L/R as seen from operator

Customer Approval

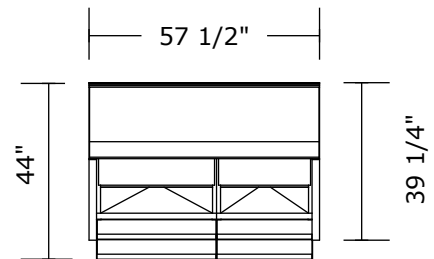
By _____

Date _____

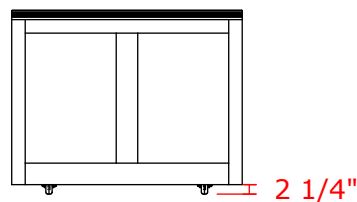
Front



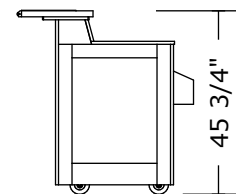
Top



Back



Side



Note: colors, finishes and weights will vary based on options chosen; bars depicted with standard 18" bar top with granite and drink rail. 12" narrow bar top available as special order.