

Product Overview

Wait Station with Sink & Refrigerator

Large mobile outdoor wait station with sink, refrigerator and end/interior trash.

Unit Dimensions (l w h, lbs)

92" x 32" x 45", 800 lbs

Ship Dimensions (l w h, lbs)

100" x 40" x 50", 1000 lbs

Standard Features

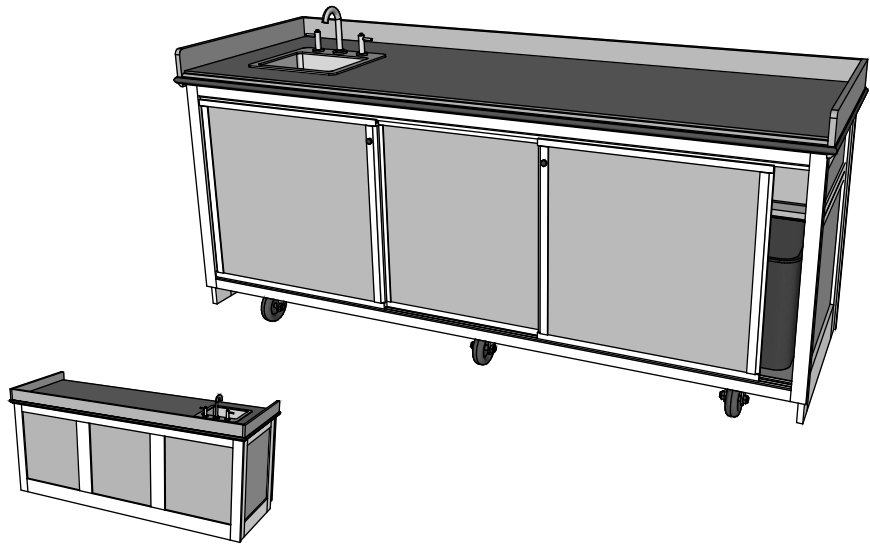
Ipe hardwood construction
Heavy duty 4"x2" casters
Locking front casters
Locking sliding doors
Under island storage
Granite top
Summit SCR312LCSS
Sink
Integrated Trash Unit
Drawers

Common Uses

Restaurant Waitstation

9028X Sink & Refrigerator Wait Station

DESIGNER SERIES EXTERIOR



Options & Accessories

Stock Counters (group a)

- Dark Granite Light Granite
- Solid White Solid Almond
- Other Counter*

Stock Panel Inserts (group a)

- White Acrylic Red Acrylic
- Wood Light Fabric
- Dark Fabric
- Other Panel Insert*

Stock Panel Frames

- Ipe Starboard White
- Starboard Brown

Common Accesories

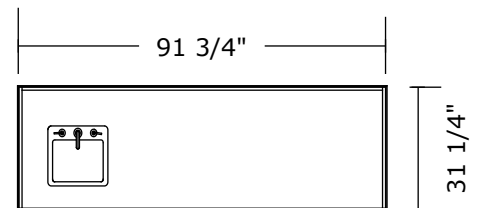
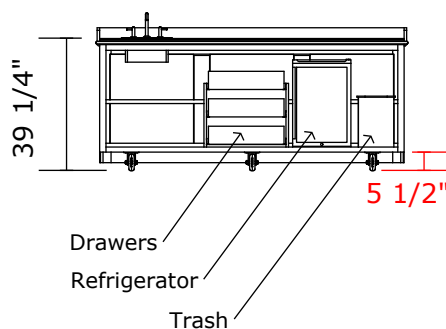
- Cover
- Umbrella Holder - L R
- Menu Rack - L R
- High Back Shelf
- Self contained water
- Hot water heater

*see options specifications sheet

**L/R as seen from operator

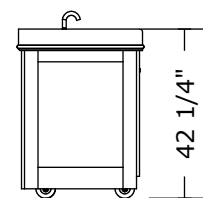
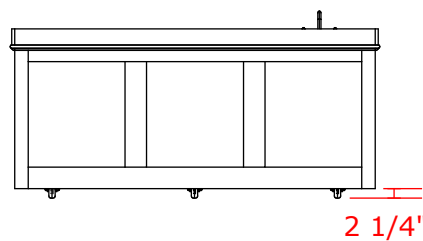
Front

Top



Back

Side



Customer Approval

By _____

Date _____

Note: colors, finishes and weights will vary based on options chosen