

Product Overview

9028X Sink & Refrigerator Wait Station High Back

Wait Station with Sink & Refrigerator and High Back

Large mobile outdoor wait station with sink, refrigerator, end/interior trash & high back.

Unit Dimensions (l w h, lbs)

92" x 32" x 45", 900 lbs

Ship Dimensions (l w h, lbs)

100" x 40" x 50", 1200 lbs

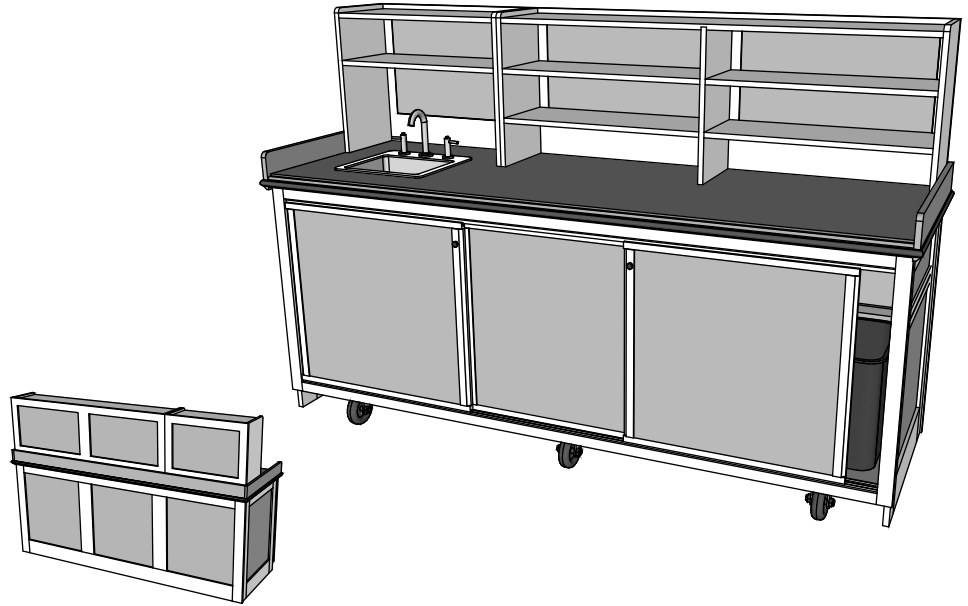
Standard Features

Ipe hardwood construction
 Heavy duty 4"x2" casters
 Locking front casters
 Locking sliding doors
 Under island storage
 Granite top
 Summit SCR312LCSS
 Bar Sink
 Integrated Trash Unit

Common Uses

Restaurant Waitstation

DESIGNER SERIES EXTERIOR



Options & Accessories

Stock Counters (group a)

- Dark Granite Light Granite
- Solid White Solid Almond
- Other Counter*

Stock Panel Inserts (group a)

- White Acrylic Red Acrylic
- Wood Light Fabric
- Dark Fabric
- Other Panel Insert*

Stock Panel Frames

- Ipe Starboard White
- Starboard Brown

Common Accesories

- Cover
- Umbrella Holder - L R
- Menu Rack - L R
- Self contained water
- Hot water heater

*see options specifications sheet

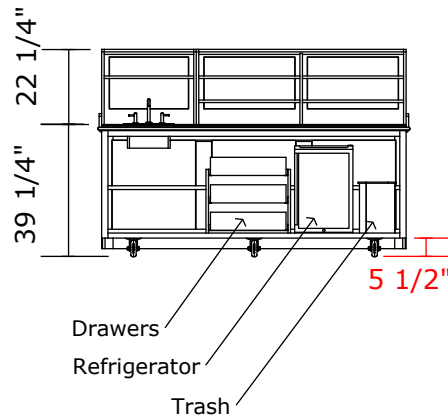
**L/R as seen from operator

Customer Approval

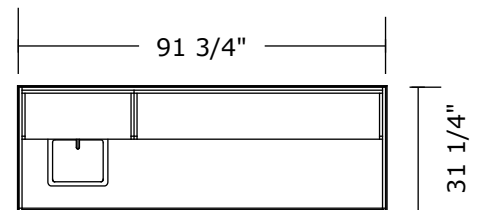
By _____

Date _____

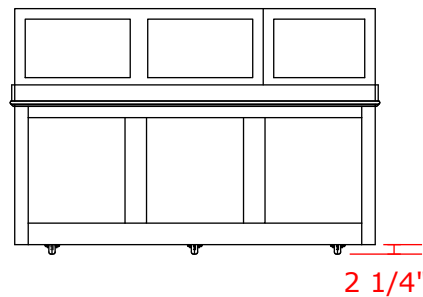
Front



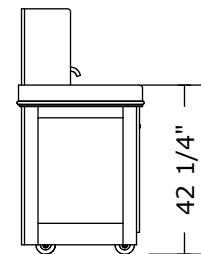
Top



Back



Side



Note: colors, finishes and weights will vary based on options chosen