

Product Overview

Wait Station with Ice Sink, Refrigerator and High Back

Large mobile outdoor wait station with ice/sink, refrigerator, end/interior trash & high back.

Unit Dimensions (l w h, lbs)

92" x 32" x 45", 900 lbs

Ship Dimensions (l w h, lbs)

100" x 40" x 50", 1200 lbs

Standard Features

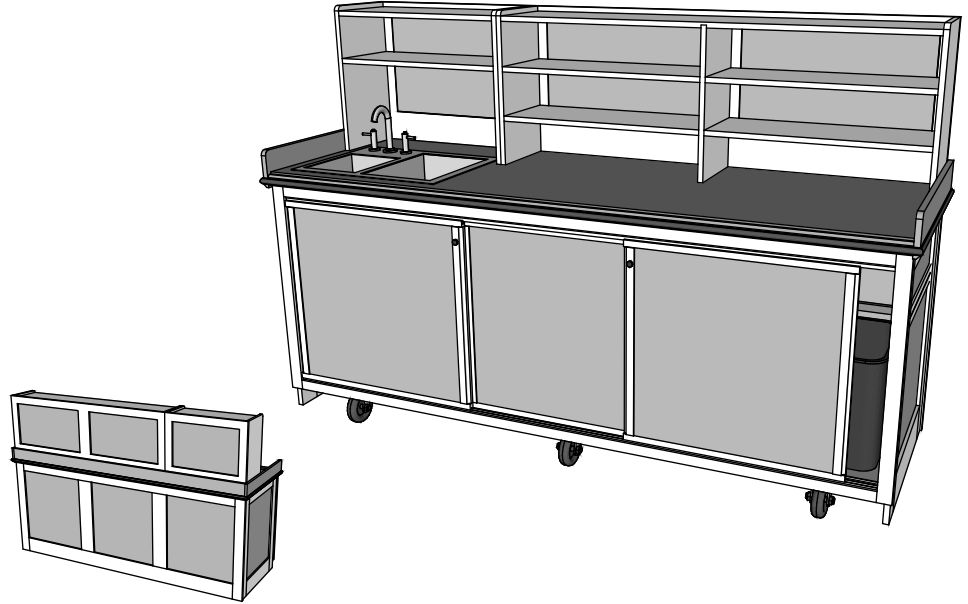
Ipe hardwood construction
Heavy duty 4"x2" casters
Locking front casters
Locking sliding doors
Under island storage
Granite top
Summit SCR312LCSS
Glasstender DI-IS24
Integrated Trash Unit
Drawers

Common Uses

Restaurant Waitstation

9028X Ice Sink & Refrigerator Wait Station High Back

DESIGNER SERIES EXTERIOR



Options & Accessories

Stock Counters (group a)

- Dark Granite Light Granite
- Solid White Solid Almond
- Other Counter*

Stock Panel Inserts (group a)

- White Acrylic Red Acrylic
- Wood Light Fabric
- Dark Fabric
- Other Panel Insert*

Stock Panel Frames

- Ipe Starboard White
- Starboard Brown

Common Accesories

- Cover
- Umbrella Holder - L R
- Menu Rack - L R
- Self contained water
- Hot water heater

*see options specifications sheet

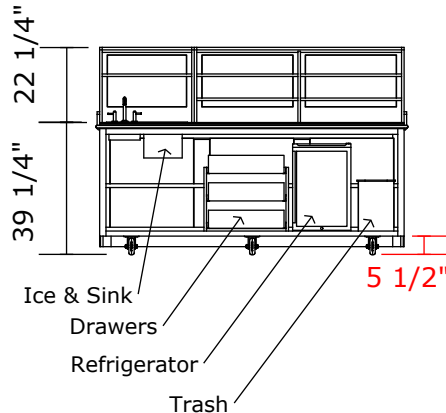
**L/R as seen from operator

Customer Approval

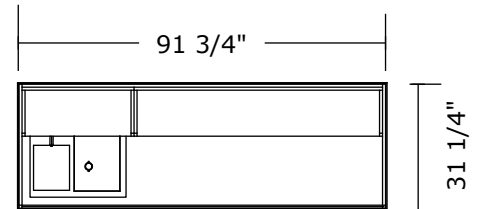
By _____

Date _____

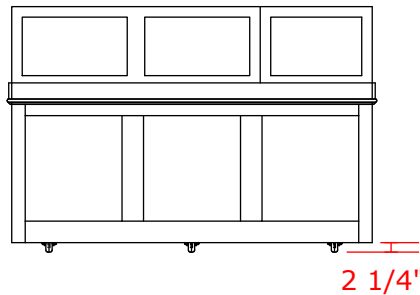
Front



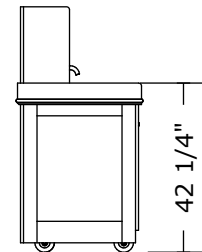
Top



Back



Side



Note: colors, finishes and weights will vary based on options chosen