

Product Overview

Large Point of Sale Station

Mobile outdoor station with POS enclosure, ice sink, sliding door and interior shelving and drawers.

Unit Dimensions (l w h, lbs)

92" x 32" x 63", 1000 lbs

Ship Dimensions (l w h, lbs)

100" x 38" x 67", 1300 lbs

Standard Features

Ipe hardwood construction
Heavy duty 4"x2" casters
Locking front casters
Locking sliding doors
Under island storage
Granite top
Under counter drawers
Double locking tambour top

Common Uses

Locking Point of Sale Enclosure
Restaurant Waitstation

Options & Accessories

Stock Counters (group a)

- Dark Granite Light Granite
- Solid White Solid Almond
- Other Counter*

Stock Panel Inserts (group a)

- White Acrylic Red Acrylic
- Wood Light Fabric
- Dark Fabric
- Other Panel Insert*

Stock Panel Frames

- Ipe Starboard White
- Starboard Brown

Common Accesories

- Cover
- Umbrella Holder - L R
- Menu Rack - L R
- Self contained water
- Hot water heater

*see options specifications

**L/R as seen from operator

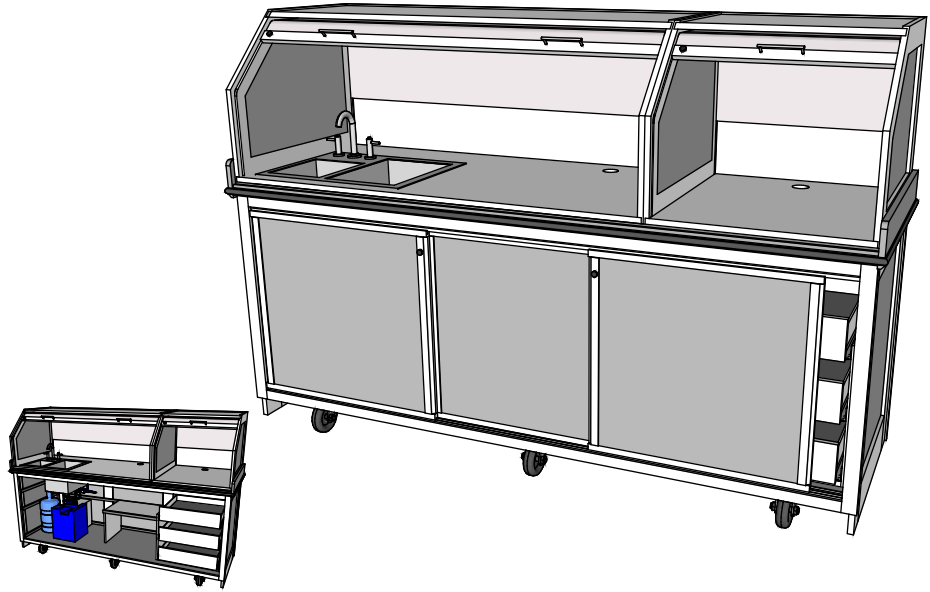
Customer Approval

By _____

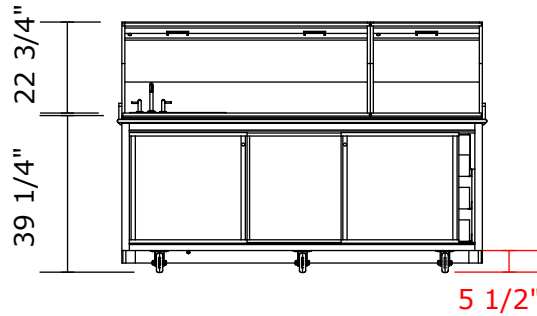
Date _____

9028X Ice Sink Point of Sale Station

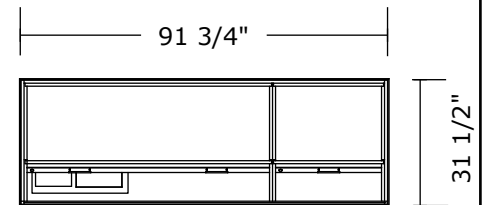
DESIGNER SERIES EXTERIOR



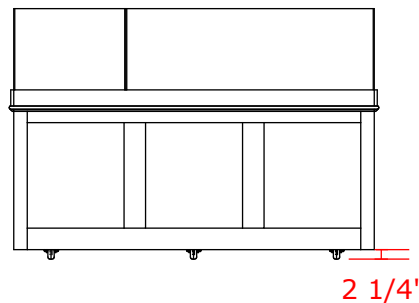
Front



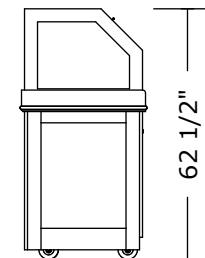
Top



Back



Side



Note: colors, finishes and weights will vary based on options chosen