

Product Overview

Foodservice Island with Double Salad Top

Mobile outdoor food service island with double salad top and in island storage.

Unit Dimensions (l w h, lbs)

60" x 28" x 42", 600 lbs

Ship Dimensions (l w h, lbs)

68" x 36" x 50", 800 lbs

Standard Features

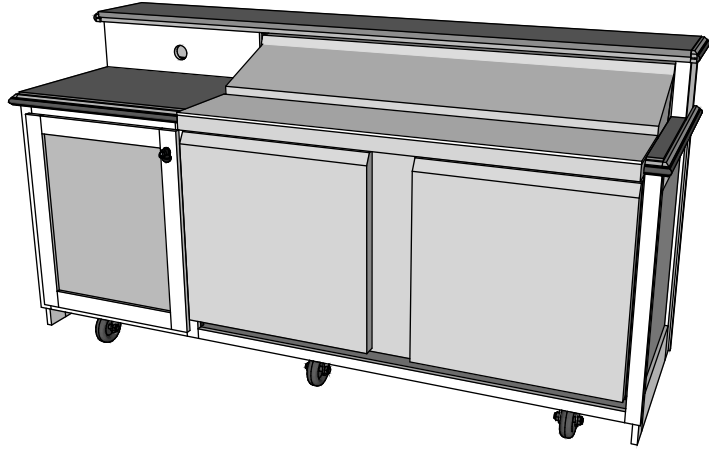
Ipe hardwood construction
Heavy duty 4"x2" casters
Locking front casters
Locking sliding doors
Under island storage shelf
Granite top
60" Commercial Salad Top

Common Uses

Food service

9028X Foodservice Double Salad Top

DESIGNER SERIES EXTERIOR



Options & Accessories

Stock Counters (group a)

- Dark Granite Light Granite
- Solid White Solid Almond
- Other Counter*

Stock Panel Inserts (group a)

- White Acrylic Red Acrylic
- Wood Light Fabric
- Dark Fabric
- Other Panel Insert*

Stock Panel Frames

- Ipe Starboard White
- Starboard Brown

Common Accesories

- Cover
- Umbrella Holder - L R
- Menu Rack - L R

*see options specifications sheet

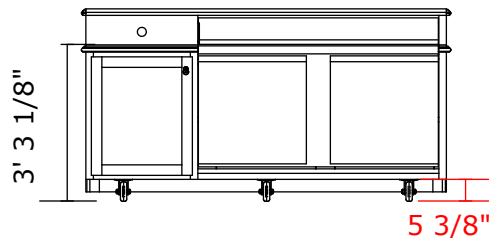
**L/R as seen from operator

Customer Approval

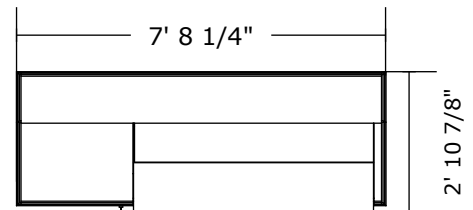
By _____

Date _____

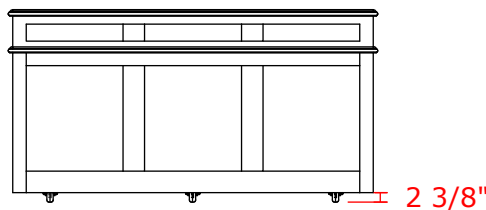
Front



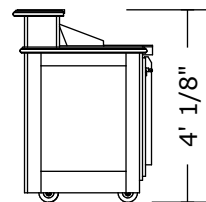
Top



Back



Side



Note: colors, finishes and weights will vary based on options chosen